



60310 Installation Instructions

Step 1

- Be sure to have Congo Pro JK A-Frame (55015), Congo Pro JK Rear Hoop (55026) and either 4dr Roof Rails (55025) or 2dr Roof Rails (55020) installed on your JEEP.

*2 door shown

****DO NOT TIGHTEN ANY BOLTS UNTIL ALL BOLTS ARE INSTALLED****

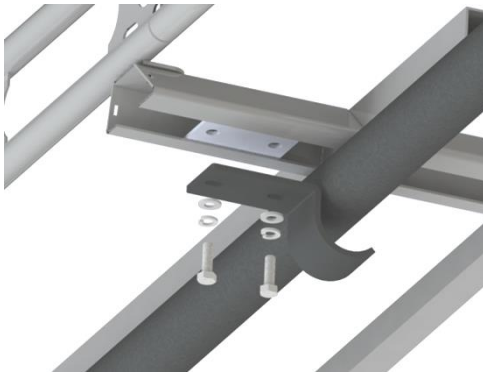
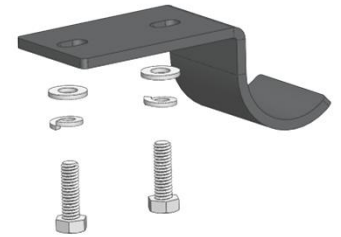


Step 2

- Be sure to have Safari Basket assembled.

Step 3

- Place Safari basket on top of roof rails.
- Locate nut plate in the cross members and slide to the outside of the basket.



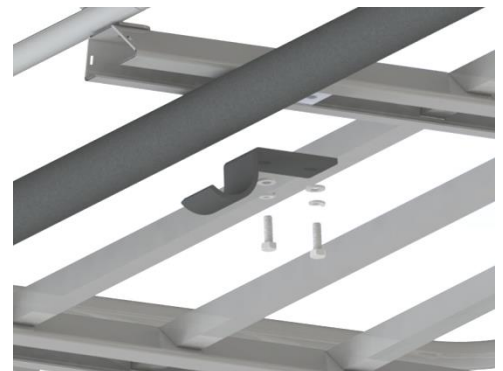
Step 4

- Place mount bracket (60310-00-001) around roof rail and bolt into the nut plate using two 5/16" x 1" hex head bolt, two 5/16" split lock washers and two 5/16" flat washers.
- Repeat in all four corners
- Position safari basket to your liking

*If the roof rails are positioned more than 30.5" apart, these brackets will have to be installed towards the inside

Step 5

- **TIGHTEN** all bolts from previous steps



Your installation is now complete